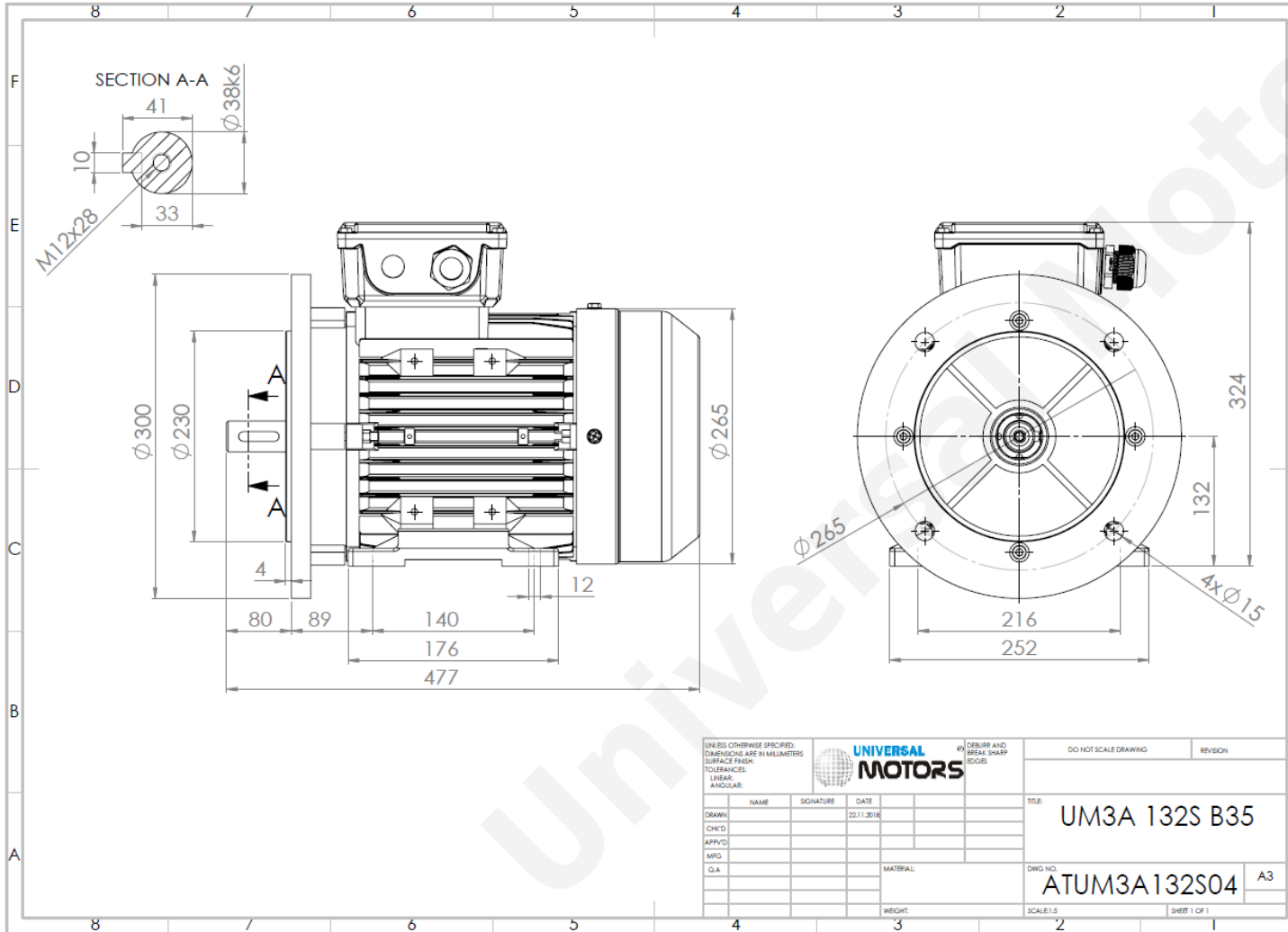




# TECHNICAL DATA

Three Phase Electric Motors - Aluminum Frame  
 PE31 132S2-2  
 7.5 kW / 10 Cv  
 2915 RPM



|                             |                       |
|-----------------------------|-----------------------|
| Motor type:                 | <b>PE31 132S2-2</b>   |
| Output:                     | <b>7.5 kW / 10 Cv</b> |
| Speed (min <sup>-1</sup> ): | <b>2915 RPM</b>       |
| Frequency:                  | <b>50 Hz</b>          |
| Voltage:                    | <b>400 V</b>          |
| Current:                    | <b>13.5 A</b>         |
| Power factor (Cos Ø):       | <b>0.89</b>           |
| Poles:                      | <b>2</b>              |
| Insulation class:           | <b>F</b>              |
| Temperature rise Class:     | <b>B</b>              |
| Efficiency 50%:             | <b>88.3 %</b>         |
| Efficiency 75%:             | <b>89.2 %</b>         |
| Efficiency 100%:            | <b>90.1 %</b>         |
| Torque:                     | <b>24.6 N.m</b>       |
| Tstarting/Tnominal:         | <b>2.2</b>            |
| Istarting/Inominal:         | <b>7.8</b>            |
| Tmaximum/Tnominal:          | <b>2.3</b>            |
| Noise:                      | <b>85 Db(A)</b>       |
| Weight:                     | <b>52 Kg</b>          |
| Bearing DE:                 | <b>6308 2Z C3</b>     |
| Bearing NDE:                | <b>6308 2Z C3</b>     |

|   |           |            |           |                      |                      |          |
|---|-----------|------------|-----------|----------------------|----------------------|----------|
| UNLESS OTHERWISE SPECIFIED, DIMENSIONS ARE IN MILLIMETERS |           |            |           | UNIVERSAL MOTORS     | DO NOT SCALE DRAWING | REVISION |
| SURFACE FINISH:   |           |            |           |                      |                      |          |
| TOLERANCES:   |           |            |           | TITLE: UM3A 132S B35 |                      |          |
| LINEAR:   |           |            |           | DWG NO: ATUM3A132S04 |                      |          |
| ANGULAR:  |           |            |           | A3                   |                      |          |
| NAME  | SIGNATURE | DATE       | MATERIAL: | SCALE: 1:1           |                      |          |
| DRAWN   |           | 22.11.2018 | WEIGHT:   | SHEET 1 OF 1         |                      |          |
| CHK'D   |           |            |           |                      |                      |          |
| APP'VD  |           |            |           |                      |                      |          |
| MFG   |           |            |           |                      |                      |          |
| Q.A   |           |            |           |                      |                      |          |

Regime - S1

Altitude - 1000m

Environment Temperature - 40°C

## CONTACTS:

UNIVERSAL MOTORS Tel: +351 252 299 080  
 Rua de São Brás,745 Fax: +351 252 299 089  
 4480-782 VILA DO CONDE Mail: [geral@universalmotors.pt](mailto:geral@universalmotors.pt)

\* References applied only in the UK